

HCS-5100MA/FS/04F 4 CHs Digital Infrared Transmitter



Features

- Compliant to IEC 61603-7 and IEC 60914
- Compatible with any other IR simultaneous interpretation system compliant to IEC 61603-7
- DQPSK digital modulation/demodulation technology
- Capable of distributing a maximum of 4 audio channels
- Conference hall privacy; the congress venue itself acts as a barrier to infrared signals escaping and being overheard, as infrared is unable to pass through opaque objects such as walls
- Suitable for various kinds (small/medium/large international) of conference halls and outdoor venues
- Transmitting in 1~8 MHz frequency band eliminates disturbance from high frequency lighting systems
- Each audio channel can be assigned a language name for easy identification
- Flexible configuration of channels and channel quality modes:
 - ◆ Mono, standard quality, maximum 4 channels
 - ◆ Mono, perfect quality, maximum 2 channels
 - ◆ Stereo, standard quality, maximum 2 channels
 - ◆ Stereo, perfect quality, maximum 1 channel
- Adjustable sensitivity for each input to enable fine tuning of audio levels, support levels indicating of audio input
- Automatic synchronization to the number of channels in use by the system
- “Bypass” mode for distribution of signals from another transmitter allows multiple rooms to be used
- During adjournment, music mode can be used to feed music to all channels
- Independent test facility: self-generates diverse frequencies for system debugging
- Built-in infrared emitters in transmitter for audio monitoring in operating room
- With optical fiber interface, DCS interface and 6P-DIN connector for connecting to HCS-8300M or HCS-4100M/50 Congress Main Unit directly
- With 4 interpretation output channels for recording
- With web control function, transmitter can be controlled through web page
- Universal mains power facility allows worldwide use

The transmitter is the heart of the HCS-5100Plus system. HCS-5100MA/FS/04F accepts and modulates up to 4 unbalanced audio signals onto carrier waves which are transmitted to radiators located in the room. It can either be connected to HCS-8300M congress main unit and HCS-4100M/50 congress main unit directly, or be used as a stand-alone system for distributing external audio signals. HCS-5100MA/FS/04F is suitable for either tabletop or 19-inch rack mounting using. Four feet (for tabletop) and two brackets (for rack mounting) are supplied.

Controls and Indicators

- Graphic LCD with back-lighting displays status and menu of the system configuration, supporting multi language menu
- Four buttons for configuration
- Standby switch with indicator
- Monitor channel select knob
- Monitor volume control knob
- Mini IR radiators

Interconnections

- Ø 3.5 mm jack for stereo monitor earphone
- 2 female XLR connectors for external audio inputs to connect auxiliary balanced audio signals such as music, floor language or emergency audio signal
- 4 audio signal output connectors (RCA sockets) for output DCS multi-channel audio
- 4 audio signal input connectors (RCA sockets) to connect external unbalanced audio input signals
- 6 BNC connectors for output HF signal to radiator. To each connector, up to 30 radiators can be connected
- 1 BNC connector for receiving HF signal from another transmitter
- 6P-DIN connector for connecting to Interpreter Unit or HCS-8300M or HCS-4100M/50 Congress Main Unit
- Duplex SC single-mode optical fiber interface and DCS interface (2 × RJ45 standard socket) for connecting to HCS-8300M or HCS-4100M/50 Congress Main Unit
- USB_H interface to upgrade system and to save system parameters.
- Ethernet and RS232 ports for connection to computer
- Emergency signal interface: when the public emergency system is active, alarm signal can be fed to all channels automatically
- Power supply socket

HCS-5100MA/FS/08F 8 CHs Digital Infrared Transmitter



Features

- Compliant to IEC 61603-7 and IEC 60914
- Compatible with any other IR simultaneous interpretation system compliant to IEC 61603-7
- DQPSK digital modulation/demodulation technology
- Capable of distributing a maximum of 8 audio channels
- Conference hall privacy; the congress venue itself acts as a barrier to infrared signals escaping and being overheard, as infrared is unable to pass through opaque objects such as walls
- Suitable for various kinds (small/medium/large international) of conference halls and outdoor venues
- Transmitting in 1~8 MHz frequency band eliminates disturbance from high frequency lighting systems
- Each audio channel can be assigned a language name for easy identification
- Flexible configuration of channels and channel quality modes:
 - ◆ Mono, standard quality, maximum 8 channels
 - ◆ Mono, perfect quality, maximum 4 channels
 - ◆ Stereo, standard quality, maximum 4 channels
 - ◆ Stereo, perfect quality, maximum 2 channel
- Adjustable sensitivity for each input to enable fine tuning of audio levels, support levels indicating of audio input
- Automatic synchronization to the number of channels in use by the system
- “Bypass” mode for distribution of signals from another transmitter allows multiple rooms to be used
- During adjournment, music mode can be used to feed music to all channels
- Independent test facility: self-generates diverse frequencies for system debugging
- Built-in infrared emitters in transmitter for audio monitoring in operating room
- With optical fiber interface, DCS interface and 6P-DIN connector for connecting to HCS-8300M or HCS-4100M/50 Congress Main Unit directly
- With 8 interpretation output channels for recording
- With web control function, transmitter can be controlled through web page
- Universal mains power facility allows worldwide use

The transmitter is the heart of the HCS-5100Plus system. HCS-5100MA/FS/08F accepts and modulates up to 8 unbalanced audio signals onto carrier waves which are transmitted to radiators located in the room. It can either be connected to HCS-8300M congress main unit and HCS-4100M/50 congress main unit directly, or be used as a stand-alone system for distributing external audio signals. HCS-5100MA/FS/08F is suitable for either tabletop or 19-inch rack mounting using. Four feet (for tabletop) and two brackets (for rack mounting) are supplied.

Controls and Indicators

- Graphic LCD with back-lighting displays status and menu of the system configuration, supporting multi language menu
- Four buttons for configuration
- Standby switch with indicator
- Monitor channel select knob
- Monitor volume control knob
- Mini IR radiators

Interconnections

- Ø 3.5 mm jack for stereo monitor earphone
- 2 female XLR connectors for external audio inputs to connect auxiliary balanced audio signals such as music, floor language or emergency audio signal
- 8 audio signal output connectors (RCA sockets) for output DCS multi-channel audio
- 8 audio signal input connectors (RCA sockets) to connect external unbalanced audio input signals
- 6 BNC connectors for output HF signal to radiator. To each connector, up to 30 radiators can be connected
- 1 BNC connector for receiving HF signal from another transmitter
- 6P-DIN connector for connecting to Interpreter Unit or HCS-8300M or HCS-4100M/50 Congress Main Unit
- Duplex SC single-mode optical fiber interface and DCS interface (2 × RJ45 standard socket) for connecting to HCS-8300M or HCS-4100M/50 Congress Main Unit
- USB_H interface to upgrade system and to save system parameters.
- Ethernet and RS232 ports for connection to computer
- Emergency signal interface: when the public emergency system is active, alarm signal can be fed to all channels automatically
- Power supply socket

HCS-5100MA/FS/16F 16 CHs Digital Infrared Transmitter



Features

- Compliant to IEC 61603-7 and IEC 60914
- Compatible with any other IR simultaneous interpretation system compliant to IEC 61603-7
- DQPSK digital modulation/demodulation technology
- Capable of distributing a maximum of 16 audio channels
- Conference hall privacy; the congress venue itself acts as a barrier to infrared signals escaping and being overheard, as infrared is unable to pass through opaque objects such as walls
- Suitable for various kinds (small/medium/large international) of conference halls and outdoor venues
- Transmitting in 1~8 MHz frequency band eliminates disturbance from high frequency lighting systems
- Each audio channel can be assigned a language name for easy identification
- Flexible configuration of channels and channel quality modes:
 - ◆ Mono, standard quality, maximum 16 channels
 - ◆ Mono, perfect quality, maximum 8 channels
 - ◆ Stereo, standard quality, maximum 8 channels
 - ◆ Stereo, perfect quality, maximum 4 channel
- Adjustable sensitivity for each input to enable fine tuning of audio levels, support levels indicating of audio input
- Automatic synchronization to the number of channels in use by the system
- “Bypass” mode for distribution of signals from another transmitter allows multiple rooms to be used
- During adjournment, music mode can be used to feed music to all channels
- Independent test facility: self-generates diverse frequencies for system debugging
- Built-in infrared emitters in transmitter for audio monitoring in operating room
- With optical fiber interface, DCS interface and 6P-DIN connector for connecting to HCS-8300M or HCS-4100M/50 Congress Main Unit directly
- With 16 interpretation output channels for recording
- With web control function, transmitter can be controlled through web page
- Universal mains power facility allows worldwide use

The transmitter is the heart of the HCS-5100Plus system. HCS-5100MA/FS/16F accepts and modulates up to 16 unbalanced audio signals onto carrier waves which are transmitted to radiators located in the room. It can either be connected to HCS-8300M congress main unit and HCS-4100M/50 congress main unit directly, or be used as a stand-alone system for distributing external audio signals. HCS-5100MA/FS/16F is suitable for either tabletop or 19-inch rack mounting using. Four feet (for tabletop) and two brackets (for rack mounting) are supplied.

Controls and Indicators

- Graphic LCD with back-lighting displays status and menu of the system configuration, supporting multi language menu
- Four buttons for configuration
- Standby switch with indicator
- Monitor channel select knob
- Monitor volume control knob
- Mini IR radiators

Interconnections

- Ø 3.5 mm jack for stereo monitor earphone
- 2 female XLR connectors for external audio inputs to connect auxiliary balanced audio signals such as music, floor language or emergency audio signal
- 16 audio signal output connectors (RCA sockets) for output DCS multi-channel audio
- 16 audio signal input connectors (RCA sockets) to connect external unbalanced audio input signals
- 6 BNC connectors for output HF signal to radiator. To each connector, up to 30 radiators can be connected
- 1 BNC connector for receiving HF signal from another transmitter
- 6P-DIN connector for connecting to Interpreter Unit or HCS-8300M or HCS-4100M/50 Congress Main Unit
- Duplex SC single-mode optical fiber interface and DCS interface (2 × RJ45 standard socket) for connecting to HCS-8300M or HCS-4100M/50 Congress Main Unit
- USB_H interface to upgrade system and to save system parameters.
- Ethernet and RS232 ports for connection to computer
- Emergency signal interface: when the public emergency system is active, alarm signal can be fed to all channels automatically
- Power supply socket

HCS-5100MA/04F 4 CHs Digital Infrared Transmitter



Features

- Compliant to IEC 61603-7 and IEC 60914
- Compatible with any other IR simultaneous interpretation system compliant to IEC 61603-7
- DQPSK digital modulation/demodulation technology
- Capable of distributing a maximum of 4 audio channels
- Conference hall privacy; the congress venue itself acts as a barrier to infrared signals escaping and being overheard, as infrared is unable to pass through opaque objects such as walls
- Suitable for various kinds (small/medium/large international) of conference halls and outdoor venues
- Transmitting in 1~8 MHz frequency band eliminates disturbance from high frequency lighting systems
- Each audio channel can be assigned a language name for easy identification
- Flexible configuration of channels and channel quality modes:
 - ◆ Mono, standard quality, maximum 4 channels
 - ◆ Mono, perfect quality, maximum 2 channels
 - ◆ Stereo, standard quality, maximum 2 channels
 - ◆ Stereo, perfect quality, maximum 1 channel
- Adjustable sensitivity for each input to enable fine tuning of audio levels, support levels indicating of audio input
- Automatic synchronization to the number of channels in use by the system
- "Bypass" mode for distribution of signals from another transmitter allows multiple rooms to be used
- During adjournment, play music mode can be used to feed music to all channels
- Independent test facility: self-generates diverse frequencies for system debugging
- Built-in infrared emitters in transmitter for audio monitoring in operating room
- With DCS interface and 6P-DIN connector for connecting to HCS-8300M or HCS-4100M/50 Congress Main Unit directly
- With 4 interpretation output channels for recording
- With web control function, transmitter can be controlled through web page
- Universal mains power facility allows worldwide use

The transmitter is the heart of the HCS-5100Plus system. HCS-5100MA/04F accepts and modulates up to 4 unbalanced audio signals onto carrier waves which are transmitted to radiators located in the room. It can either be connected to HCS-8300M congress main unit and HCS-4100M/50 congress main unit directly, or be used as a stand-alone system for distributing external audio signals. HCS-5100MA/04F is suitable for either tabletop or 19-inch rack mounting using. Four feet (for tabletop) and two brackets (for rack mounting) are supplied.

Controls and Indicators

- Graphic LCD with back-lighting displays status and menu of the system configuration, supporting multi language menu
- Four buttons for configuration
- Standby switch with indicator
- Monitor channel select knob
- Monitor volume control knob
- Mini IR radiators

Interconnections

- Ø 3.5 mm jack for stereo monitor earphone
- 2 female XLR connectors for external audio inputs to connect auxiliary balanced audio signals such as music, floor language or emergency audio signal
- 4 audio signal output connectors (RCA sockets) for output DCS multi-channel audio
- 4 audio signal input connectors (RCA sockets) to connect external unbalanced audio input signals
- 6 BNC connectors for output HF signal to radiator. To each connector, up to 30 radiators can be connected
- 1 BNC connector for receiving HF signal from another transmitter
- 6P-DIN connector for connecting to Interpreter Unit or HCS-8300M or HCS-4100M/50 Congress Main Unit
- DCS interface (2×RJ45 standard socket) for connecting to HCS-8300M or HCS-4100M/50 Congress Main Unit
- USB_H interface to upgrade system and to save system parameters.
- Ethernet and RS232 ports for connection to computer
- Emergency signal interface: when the public emergency system is active, alarm signal can be fed to all channels automatically
- Power supply socket

HCS-5100MA/08F 8 CHs Digital Infrared Transmitter



Features

- Compliant to IEC 61603-7 and IEC 60914
- Compatible with any other IR simultaneous interpretation system compliant to IEC 61603-7
- DQPSK digital modulation/demodulation technology
- Capable of distributing a maximum of 8 audio channels
- Conference hall privacy; the congress venue itself acts as a barrier to infrared signals escaping and being overheard, as infrared is unable to pass through opaque objects such as walls
- Suitable for various kinds (small/medium/large international) of conference halls and outdoor venues
- Transmitting in 1~8 MHz frequency band eliminates disturbance from high frequency lighting systems
- Each audio channel can be assigned a language name for easy identification
- Flexible configuration of channels and channel quality modes:
 - ◆ Mono, standard quality, maximum 8 channels
 - ◆ Mono, perfect quality, maximum 4 channels
 - ◆ Stereo, standard quality, maximum 4 channels
 - ◆ Stereo, perfect quality, maximum 2 channel
- Adjustable sensitivity for each input to enable fine tuning of audio levels, support levels indicating of audio input
- Automatic synchronization to the number of channels in use by the system
- "Bypass" mode for distribution of signals from another transmitter allows multiple rooms to be used
- During adjournment, play music mode can be used to feed music to all channels
- Independent test facility: self-generates diverse frequencies for system debugging
- Built-in infrared emitters in transmitter for audio monitoring in operating room
- With DCS interface and 6P-DIN connector for connecting to HCS-8300M or HCS-4100M/50 Congress Main Unit directly
- With 8 interpretation output channels for recording
- With web control function, transmitter can be controlled through web page
- Universal mains power facility allows worldwide use

The transmitter is the heart of the HCS-5100Plus system. HCS-5100MA/ 08F accepts and modulates up to 8 unbalanced audio signals onto carrier waves which are transmitted to radiators located in the room. It can either be connected to HCS-8300M congress main unit and HCS-4100M/50 congress main unit directly, or be used as a stand-alone system for distributing external audio signals. HCS-5100MA/ 08F is suitable for either tabletop or 19-inch rack mounting using. Four feet (for tabletop) and two brackets (for rack mounting) are supplied.

Controls and Indicators

- Graphic LCD with back-lighting displays status and menu of the system configuration, supporting multi language menu
- Four buttons for configuration
- Standby switch with indicator
- Monitor channel select knob
- Monitor volume control knob
- Mini IR radiators

Interconnections

- Ø 3.5 mm jack for stereo monitor earphone
- 2 female XLR connectors for external audio inputs to connect auxiliary balanced audio signals such as music, floor language or emergency audio signal
- 8 audio signal output connectors (RCA sockets) for output DCS multi-channel audio
- 8 audio signal input connectors (RCA sockets) to connect external unbalanced audio input signals
- 6 BNC connectors for output HF signal to radiator. To each connector, up to 30 radiators can be connected
- 1 BNC connector for receiving HF signal from another transmitter
- 6P-DIN connector for connecting to Interpreter Unit or HCS-8300M or HCS-4100M/50 Congress Main Unit
- DCS interface (2×RJ45 standard socket) for connecting to HCS-8300M or HCS-4100M/50 Congress Main Unit
- USB_H interface to upgrade system and to save system parameters.
- Ethernet and RS232 ports for connection to computer
- Emergency signal interface: when the public emergency system is active, alarm signal can be fed to all channels automatically
- Power supply socket

HCS-5100MA/16F 16 CHs Digital Infrared Transmitter



Features

- Compliant to IEC 61603-7 and IEC 60914
- Compatible with any other IR simultaneous interpretation system compliant to IEC 61603-7
- DQPSK digital modulation/demodulation technology
- Capable of distributing a maximum of 16 audio channels
- Conference hall privacy; the congress venue itself acts as a barrier to infrared signals escaping and being overheard, as infrared is unable to pass through opaque objects such as walls
- Suitable for various kinds (small/medium/large international) of conference halls and outdoor venues
- Transmitting in 1~8 MHz frequency band eliminates disturbance from high frequency lighting systems
- Each audio channel can be assigned a language name for easy identification
- Flexible configuration of channels and channel quality modes:
 - ◆ Mono, standard quality, maximum 16 channels
 - ◆ Mono, perfect quality, maximum 8 channels
 - ◆ Stereo, standard quality, maximum 8 channels
 - ◆ Stereo, perfect quality, maximum 4 channel
- Adjustable sensitivity for each input to enable fine tuning of audio levels, support levels indicating of audio input
- Automatic synchronization to the number of channels in use by the system
- "Bypass" mode for distribution of signals from another transmitter allows multiple rooms to be used
- During adjournment, music mode can be used to feed music to all channels
- Independent test facility: self-generates diverse frequencies for system debugging
- Built-in infrared emitters in transmitter for audio monitoring in operating room
- With DCS interface and 6P-DIN connector for connecting to HCS-8300M or HCS-4100M/50 Congress Main Unit directly
- With 16 interpretation output channels for recording
- With web control function, transmitter can be controlled through web page
- Universal mains power facility allows worldwide use

The transmitter is the heart of the HCS-5100Plus system. HCS-5100MA/16F accepts and modulates up to 16 unbalanced audio signals onto carrier waves which are transmitted to radiators located in the room. It can either be connected to HCS-8300M congress main unit and HCS-4100M/50 congress main unit directly, or be used as a stand-alone system for distributing external audio signals. HCS-5100MA/16F is suitable for either tabletop or 19-inch rack mounting using. Four feet (for tabletop) and two brackets (for rack mounting) are supplied.

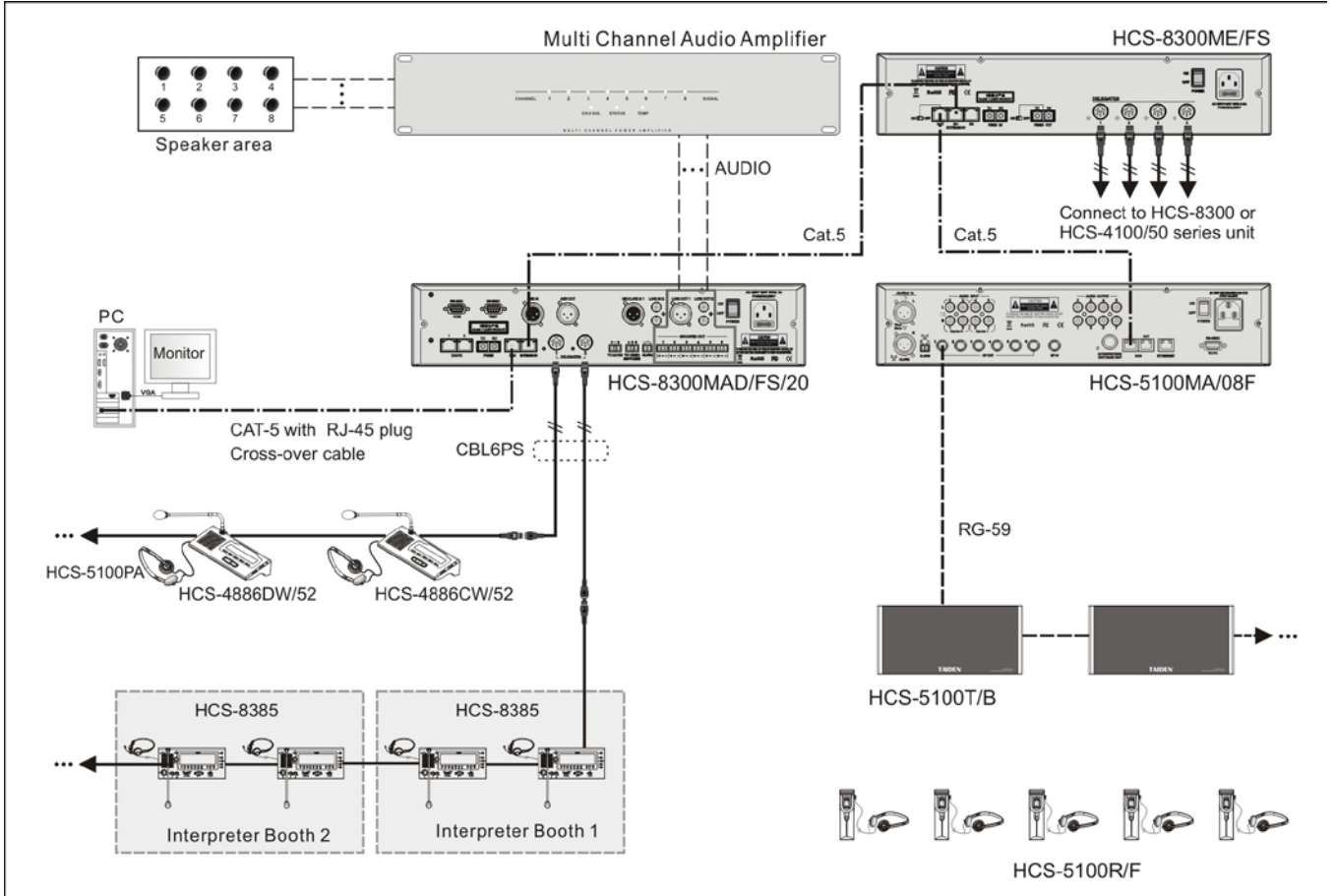
Controls and Indicators

- Graphic LCD with back-lighting displays status and menu of the system configuration, supporting multi language menu
- Four buttons for configuration
- Standby switch with indicator
- Monitor channel select knob
- Monitor volume control knob
- Mini IR radiators

Interconnections

- Ø 3.5 mm jack for stereo monitor earphone
- 2 female XLR connectors for external audio inputs to connect auxiliary balanced audio signals such as music, floor language or emergency audio signal
- 8 audio signal output connectors (RCA sockets) for output DCS multi-channel audio
- 8 audio signal input connectors (RCA sockets) to connect external unbalanced audio input signals
- 6 BNC connectors for output HF signal to radiator. To each connector, up to 30 radiators can be connected
- 1 BNC connector for receiving HF signal from another transmitter
- 6P-DIN connector for connecting to Interpreter Unit or HCS-8300M or HCS-4100M/50 Congress Main Unit
- DCS interface (2×RJ45 standard socket) for connecting to HCS-8300M or HCS-4100M/50 Congress Main Unit
- USB_H interface to upgrade system and to save system parameters.
- Ethernet and RS232 ports for connection to computer
- Emergency signal interface: when the public emergency system is active, alarm signal can be fed to all channels automatically
- Power supply socket

System Connection



Electrical

Unbalanced audio inputs -12 dBV to +12 dBV nominal
Balanced audio inputs -6 dBV to +18 dBV nominal
Emergency switch connector 2-PIN 3.81 mm Phoenix connector.
alarm signal control input
Headphone output 32 Ohm to 2 kOhm
HF input/output 75 Ohm
Power supply AC 100 V - 240 V, 50 Hz / 60 Hz
Power consumption Maximum 25 W

Mechanical

Mounting Brackets for 19" rack mounting or fixing to a table top;
detachable feet for free-standing use on a table top
Dimensions h x w x d (mm) 99 x 430 x 325
Weight 7.5 kg
Color White (PANTONE 420 C)

Ordering Information

HCS-5100MC/04FD 4 CHs Digital Infrared Transmitter
(dante interface)

Electrical

Unbalanced audio inputs -12 dBV to +12 dBV nominal
Balanced audio inputs -6 dBV to +18 dBV nominal
Emergency switch connector 2-PIN 3.81 mm Phoenix connector.
alarm signal control input
Headphone output 32 Ohm to 2 kOhm
HF input/output 75 Ohm
Power supply AC 100 V - 240 V, 50 Hz / 60 Hz
Power consumption Maximum 25 W

Mechanical

Mounting Brackets for 19" rack mounting or fixing to a table top;
detachable feet for free-standing use on a table top
Dimensions h x w x d (mm) 99 x 430 x 325
Weight 7.5 kg
Color White (PANTONE 420 C)

Ordering Information

HCS-5100MC/08FD 8 CHs Digital Infrared Transmitter
(dante interface)

Electrical

Unbalanced audio inputs -12 dBV to +12 dBV nominal
Balanced audio inputs -6 dBV to +18 dBV nominal
Emergency switch connector 2-PIN 3.81 mm Phoenix connector.
alarm signal control input
Headphone output 32 Ohm to 2 kOhm
HF input/output 75 Ohm
Power supply AC 100 V - 240 V, 50 Hz / 60 Hz
Power consumption Maximum 25 W

Mechanical

Mounting Brackets for 19" rack mounting or fixing to a table top;
detachable feet for free-standing use on a table top
Dimensions h x w x d (mm) 99 x 430 x 325
Weight 7.5 kg
Color White (PANTONE 420 C)

Ordering Information

HCS-5100MC/04F 4 CHs Digital Infrared Transmitter

Electrical

Unbalanced audio inputs -12 dBV to +12 dBV nominal
Balanced audio inputs -6 dBV to +18 dBV nominal
Emergency switch connector 2-PIN 3.81 mm Phoenix connector.
alarm signal control input
Headphone output 32 Ohm to 2 kOhm
HF input/output 75 Ohm
Power supply AC 100 V - 240 V, 50 Hz / 60 Hz
Power consumption Maximum 25 W

Mechanical

Mounting Brackets for 19" rack mounting or fixing to a table top;
detachable feet for free-standing use on a table top
Dimensions h x w x d (mm) 99 x 430 x 325
Weight 7.5 kg
Color White (PANTONE 420 C)

Ordering Information

HCS-5100MC/08F 8 CHs Digital Infrared Transmitter

Electrical

Unbalanced audio inputs -12 dBV to +12 dBV nominal
Balanced audio inputs -6 dBV to +18 dBV nominal
Emergency switch connector 2-PIN 3.81 mm Phoenix connector.
alarm signal control input
Headphone output 32 Ohm to 2 kOhm
HF input/output 75 Ohm
Power supply AC 100 V - 240 V, 50 Hz / 60 Hz
Power consumption Maximum 25 W

Mechanical

Mounting Brackets for 19" rack mounting or fixing to a table top;
detachable feet for free-standing use on a table top
Dimensions h x w x d (mm) 99 x 430 x 325
Weight 7.5 kg
Color White (PANTONE 420 C)

Ordering Information

HCS-5100MC/16F 16 CHs Digital Infrared Transmitter

Electrical

Unbalanced audio inputs.....-12 dBV to +12 dBV nominal
Balanced audio inputs.....-6 dBV to +18 dBV nominal
Emergency switch connector.....2-PIN 3.81 mm Phoenix connector.
alarm signal control input
Headphone output.....32 Ohm to 2 kOhm
HF input/output.....75 Ohm
Power supply.....AC 100 V - 240 V, 50 Hz / 60 Hz
Power consumption.....Maximum 25 W

Mechanical

Mounting.....Brackets for 19" rack mounting or fixing to a table top;
detachable feet for free-standing use on a table top
Dimensions h x w x d (mm).....99 x 430 x 325
Weight.....7.5 kg
Color.....White (PANTONE 420 C)

Ordering Information

HCS-5100MC/32F.....32 CHs Digital Infrared Transmitter

HCS-5100MC/40F 40 CHs Digital Infrared Transmitter



Features

- Compliant to IEC 61603-7 and IEC 60914
- Compatible with any other IR simultaneous interpretation system compliant to IEC 61603-7
- DQPSK digital modulation/demodulation technology
- Capable of distributing a maximum of 40 audio channels
- Conference hall privacy; the congress venue itself acts as a barrier to infrared signals escaping and being overheard, as infrared is unable to pass through opaque objects such as walls
- Suitable for various kinds (small/medium/large international) of conference halls and outdoor venues
- Transmitting in 1~8 MHz frequency band eliminates disturbance from high frequency lighting systems
- Each audio channel can be assigned a language name for easy identification
- Flexible configuration of channels and channel quality modes:
 - ◆ Mono, standard quality, maximum 40 channels
 - ◆ Mono, perfect quality, maximum 20 channels
 - ◆ Stereo, standard quality, maximum 20 channels
 - ◆ Stereo, perfect quality, maximum 10 channel
- Adjustable sensitivity for each input to enable fine tuning of audio levels
- Automatic synchronization to the number of channels in use by the system
- “Bypass” mode for distribution of signals from another transmitter allows multiple rooms to be used
- During adjournment, music mode can be used to feed music to all channels
- Independent test facility: self-generates diverse frequencies for system debugging
- Built-in infrared emitters in transmitter for audio monitoring in operating room
- With web control function, transmitter can be controlled through web page
- Universal mains power facility allows worldwide use

The transmitter is the heart of the HCS-5100Plus system. HCS-5100MC/40F accepts and modulates up to 40 unbalanced audio signals onto carrier waves which are transmitted to radiators located in the room. It can either be connected to HCS-8300M congress main unit through HCS-8300MO 8 Channels Audio Output Device, or be used as a stand-alone system for distributing external audio signals. HCS-5100MC/40F is suitable for either tabletop or 19-inch rack mounting using. Four feet (for tabletop) and two brackets (for rack mounting) are supplied.

Controls and Indicators

- Graphic LCD with back-lighting displays status and menu of the system configuration, supporting multi language menu
- Four buttons for configuration
- Standby switch with indicator
- Monitor channel select knob
- Monitor volume control knob
- Mini IR radiators

Interconnections

- Ø 3.5 mm jack for stereo monitor earphone
- 2 female XLR connectors for external audio inputs to connect auxiliary balanced audio signals such as music, floor language or emergency audio signal
- 40 audio signal input connectors (RCA sockets) to connect external unbalanced audio input signals
- 6 BNC connectors for output HF signal to radiator. To each connector, up to 30 radiators can be connected
- 1 BNC connector for receiving HF signal from another transmitter
- USB_H interfaces to upgrade system and to save system parameters.
- Ethernet and RS232 ports for connection to computer
- Emergency signal interface: when the public emergency system is active, alarm signal can be fed to all channels automatically
- Power supply socket

Technical Specifications

System Specifications

Modulation.....	DQPSK, according to IEC 61603-7
Modulation frequency.....	1 to 8 MHz
	Carriers 0 to 5; 2 to 6 MHz, according to IEC 61603-7
Frequency response.....	20 Hz to 10 kHz (-3dB) at standard quality;
	20 Hz to 20 kHz (-3dB) at perfect quality
THD at 1 kHz.....	<0.1%
Isolation.....	>80 dB
Dynamic range.....	>90 dB
Weighted SNR.....	>85 dBA

Electrical

Unbalanced audio inputs.....-12 dBV to +12 dBV nominal
Balanced audio inputs.....-6 dBV to +18 dBV nominal
Emergency switch connector.....2-PIN 3.81 mm Phoenix connector.
alarm signal control input
Headphone output.....32 Ohm to 2 kOhm
HF input/output.....75 Ohm
Power supply.....AC 100 V - 240 V, 50 Hz / 60 Hz
Power consumption.....Maximum 25 W

Mechanical

Mounting.....Brackets for 19" rack mounting or fixing to a table top;
detachable feet for free-standing use on a table top
Dimensions h x w x d (mm).....99 x 430 x 325
Weight.....7.5 kg
Color.....White (PANTONE 420 C)

Ordering Information

HCS-5100MC/40F.....40 CHs Digital Infrared Transmitter

System Connection

